

ZERN HU-EX6 366/300-2

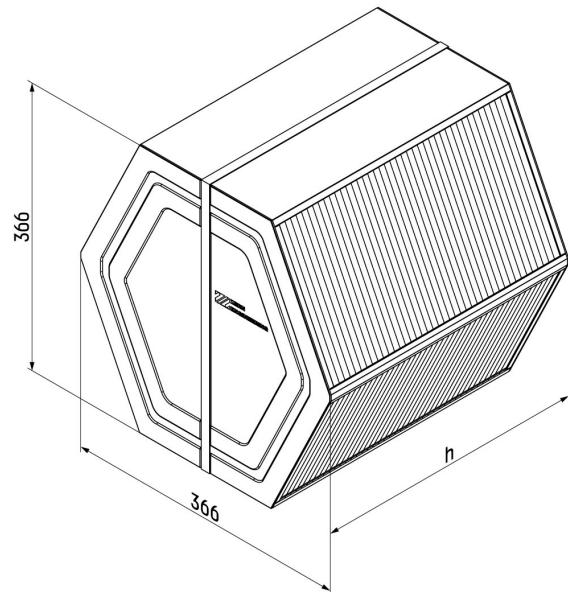
Polystyrene counter-flow heat exchanger HU-EX6 366

The HU-EX6 counter-flow heat exchangers are specifically developed for heat recovery in balanced ventilation systems. These heat exchangers allow efficient use of extracted air energy for heating or cooling, thus optimizing ventilation and providing a healthy indoor climate.

Due to the unique heat exchanger design and the shape of the heat exchanging plates, the heat exchange surface is maximized and the pressure losses are minimized. This heat exchanger type is compatible nearly with all ventilation systems.

The supply and extract air streams move in opposite directions toward each other. The heat energy is transferred through the thin plates.

Heat recovery efficiency exceeds 90 %.



Maximum depth : 600 mm

SKU	Quantity	Depth - h	Total depth
HU-EX6 366 / 300 -2	1	300 mm	300 mm

Calculations

	Heating		
	Supply	Exhaust	
Standard air flow	250	250	m ³ /h
Temperature IN	1	25	°C
Relative humidity IN	78	60	%
Temperature OUT	23.97	12.44	°C
Relative humidity OUT	16.73	86.64	%
Face air velocity	1.18	1.29	m/s
Air pressure drop	97.64	110.37	Pa
Temperature efficiency	88.62	88.62	%
Heat recovery	1.81	-1.81	kW
Condensation		1.22	kg/h



Charts

